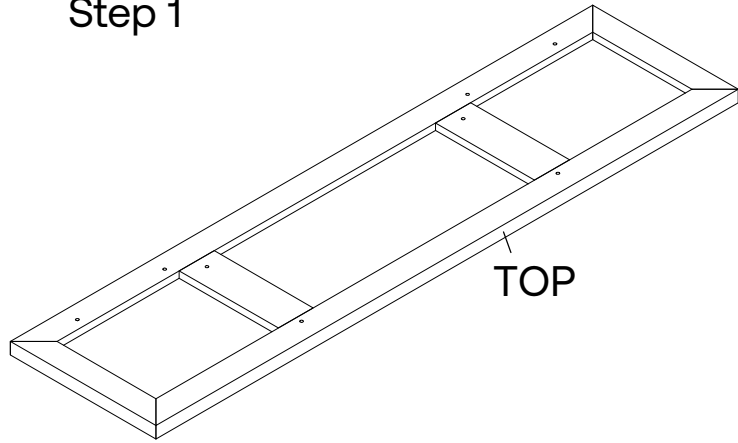


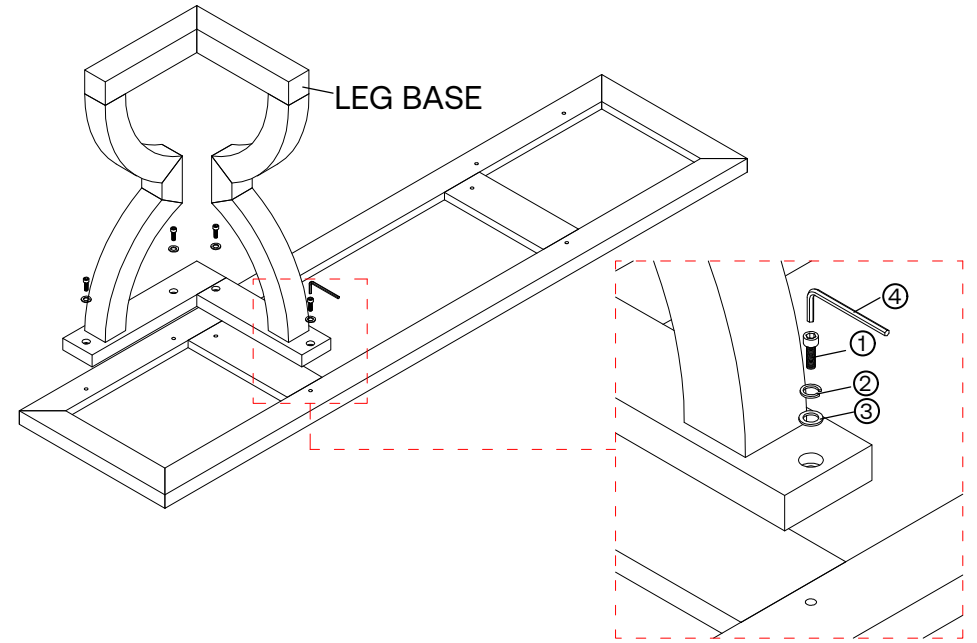
# HORGANS

## Assembly Instructions

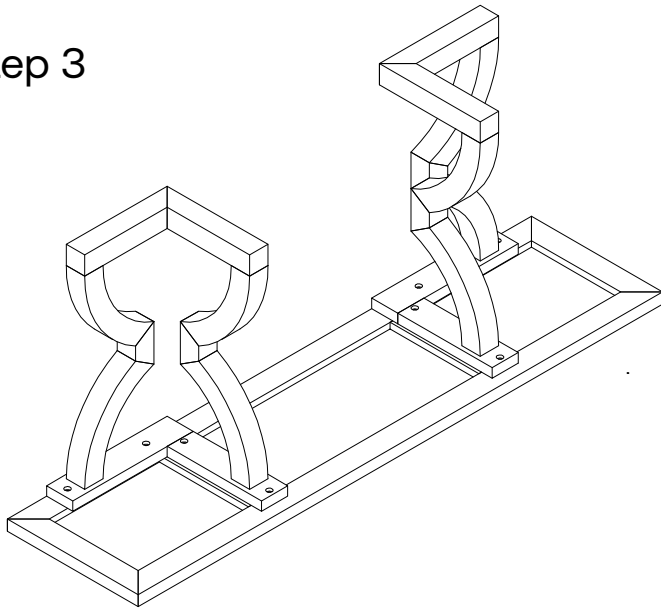
### Step 1



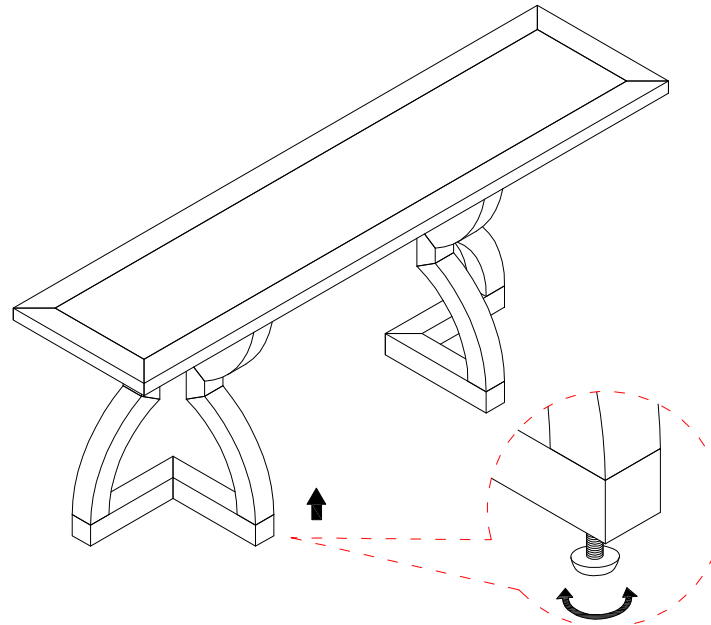
### Step 2







### Step 3



### Step 4



TIGHTEN BY  
HAND ONLY  
DO NOT USE  
POWER TOOLS

ID	Description	QTY
1	 Bolt M8x50mm	8
2	 Lock Washer	8
3	 Flat Washer	8
4	 Allen Key	1