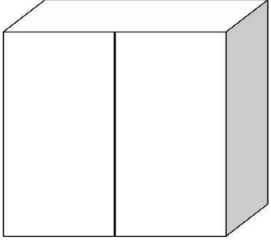

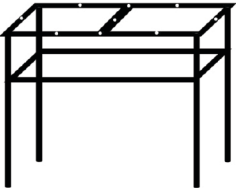

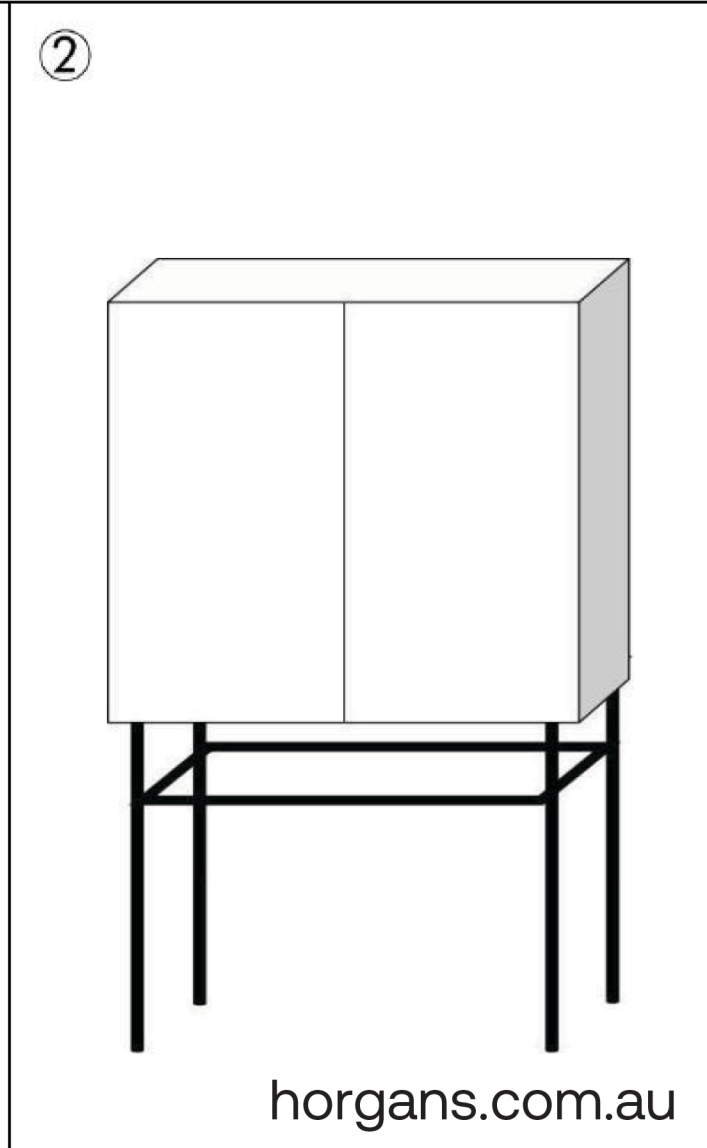
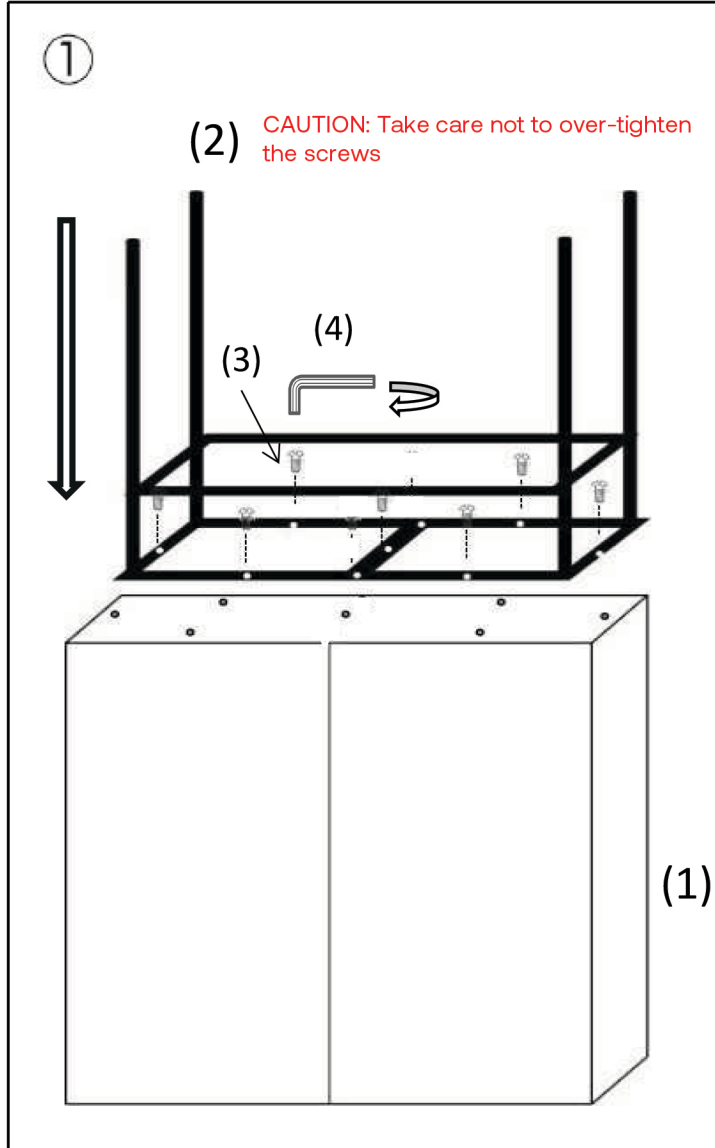


Abstract Bone Inlay Cabinet



HORGANS

<p>(1) x1</p> 	<p>(4) x1</p> 
<p>(2) x1</p> 	
<p>(3) x8</p> 	








Anti Tip Kit



HORGANS

1. Using the short screws attach one of the brackets toward one side of the rear of the furniture frame below the level of the top.
2. Move the furniture into its final position to measure and mark location to attach the second bracket to the wall. Then move the furniture out the way so that the bracket can then be mounted to the wall.
3. Attach the brackets to the marked locations on the wall with long screws. Use wall Anchors if you are mounting to a dry wall.
4. Move the furniture into its final position. Thread the strap through the bracket as shown below. Carefully tighten strap until snug but do not over tighten.

PIECE	DESCRIPTION	PICTURE	QUANTITY
A	Nylon Strap		1 PC
B	Long Screw		2 PC
C	Plastic Screw Anchor		2 PC
D	Wall Bracket		2 PC
E	Short Screw		2 PC

