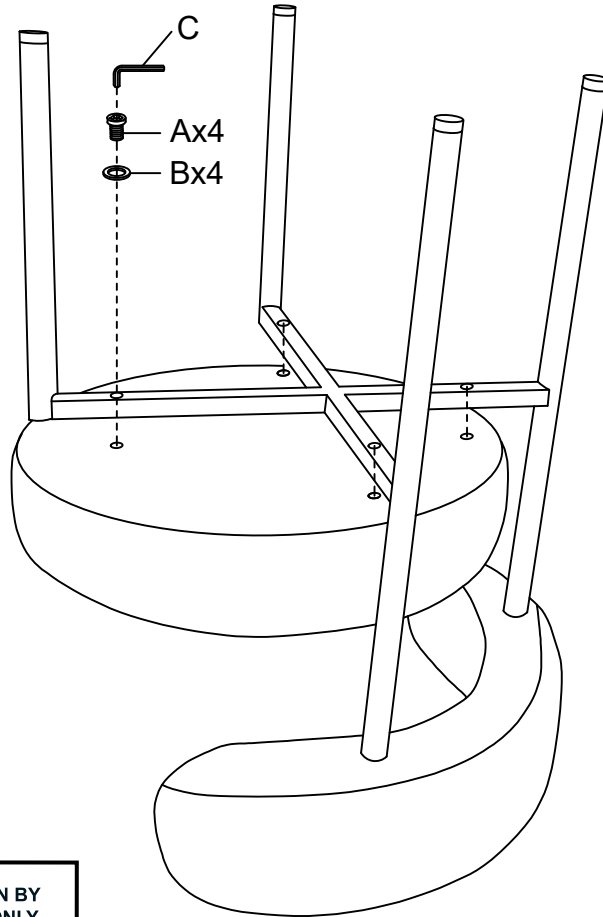


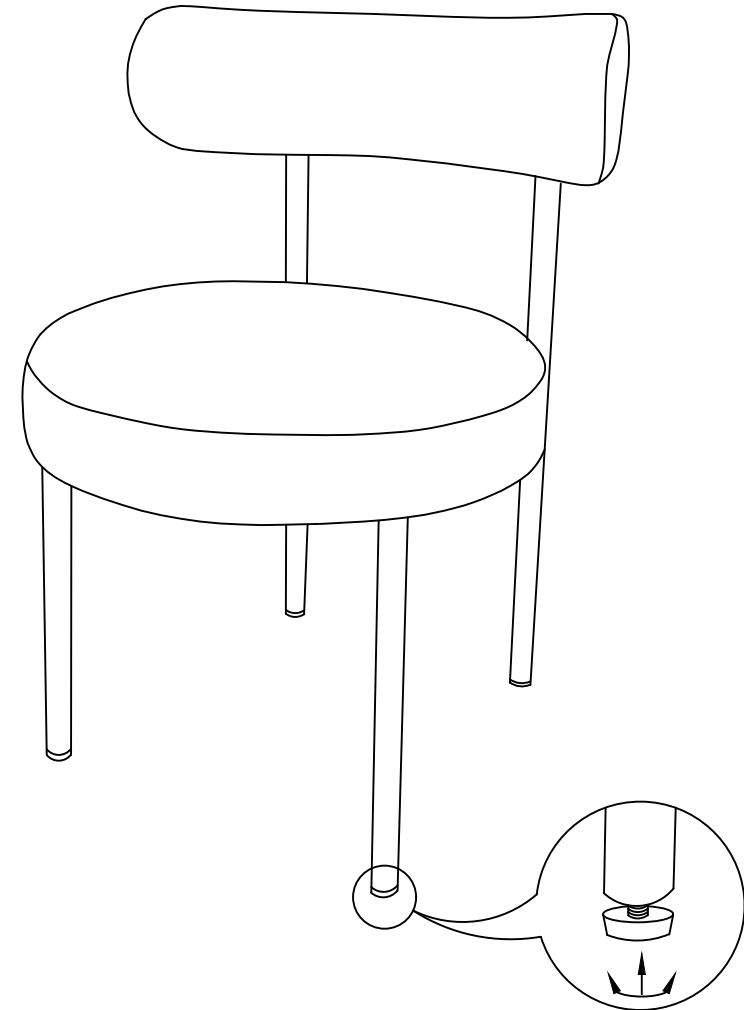
# Franco Dining Chair

# HORGANS

## STEP 1



## Finish



**TIGHTEN BY  
HAND ONLY**

---

**DO NOT USE  
POWER TOOLS**

NO	A	B	C
TYPE	M6	Ø6	4#
QTY	4PCS	4PCS	1PC

Our dining chairs are designed with both quality & sustainability in mind. The basic assembly requirements allow us to minimise packaging & freight costs thus reducing our environmental footprint whilst maintaining the integrity of the product.