



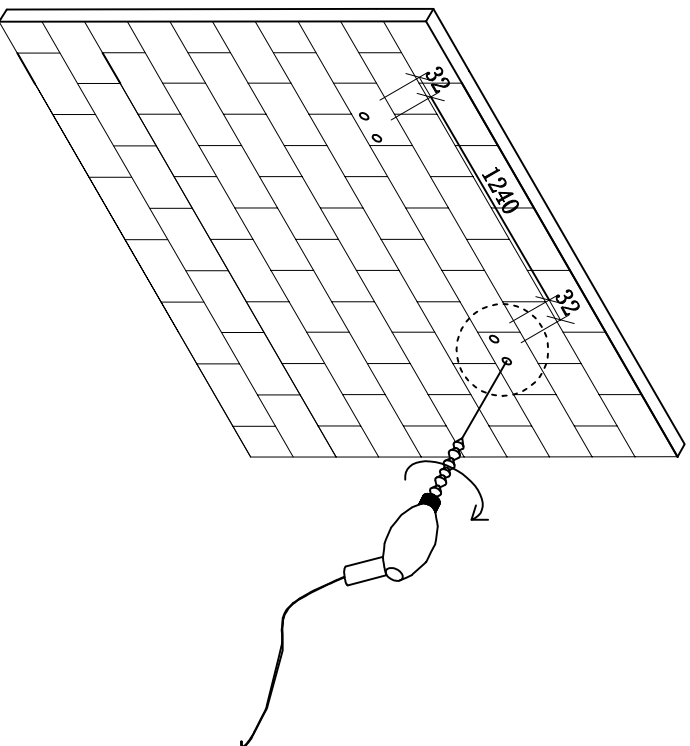
Hemky Sideboard – instructions for installing anti-tipping kit

SETTING FITTINGS

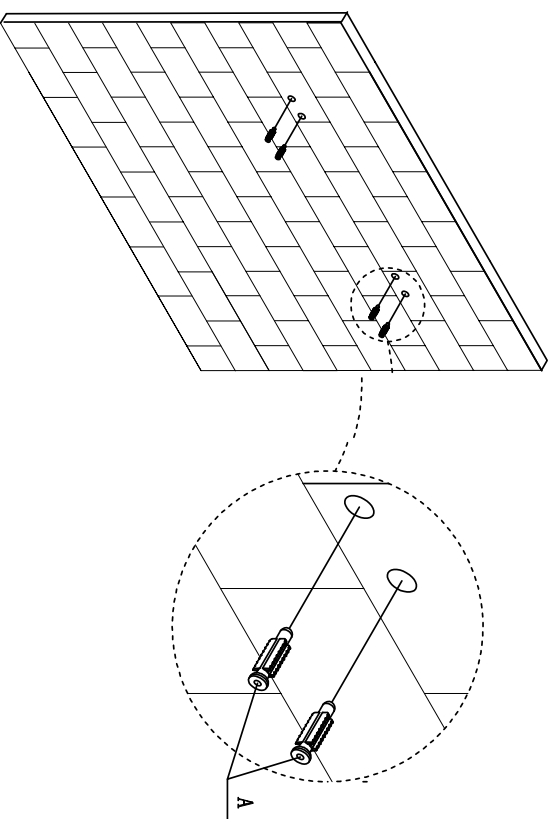
DR-HG-10M

FITTINGS	SPEC.	AMOUNT	FITTINGS	SPEC.	AMOUNT
A		4pcs	B		4pcs
C		2pcs			

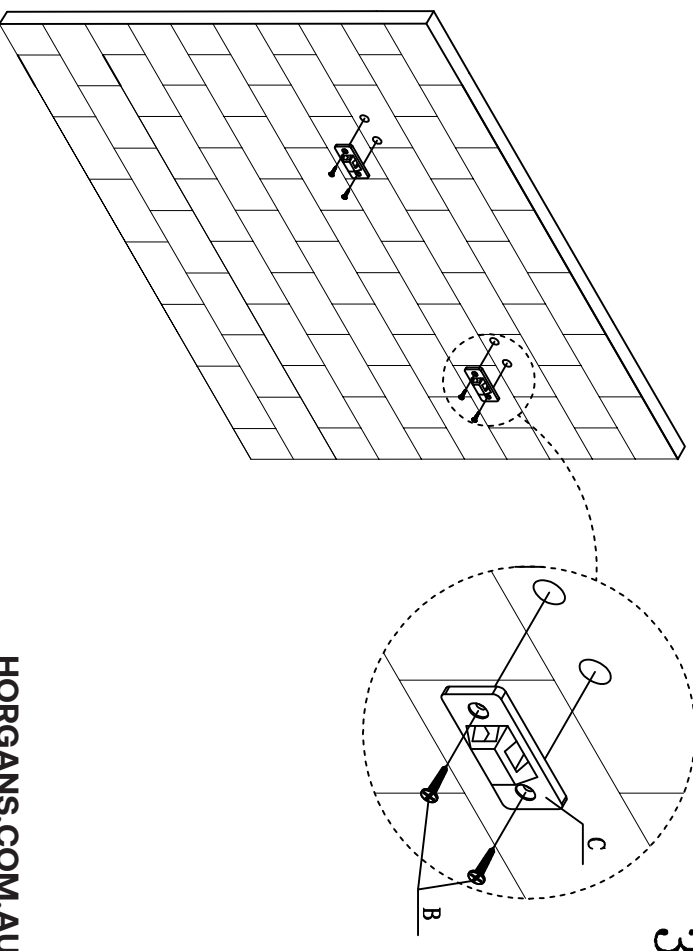
1



HORGANS

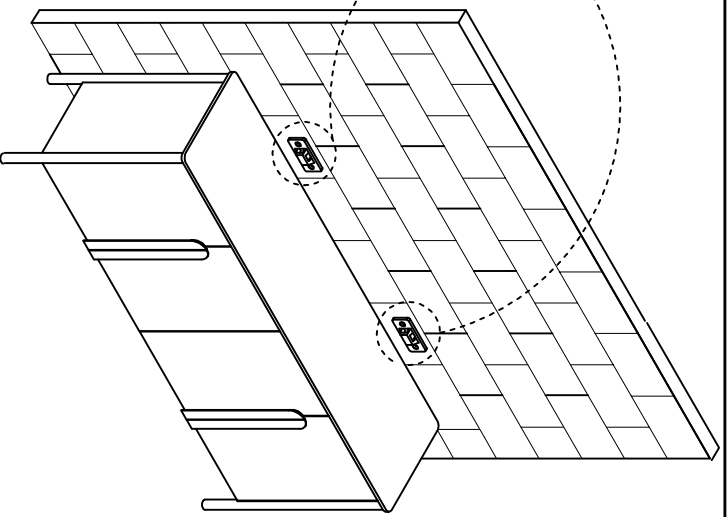
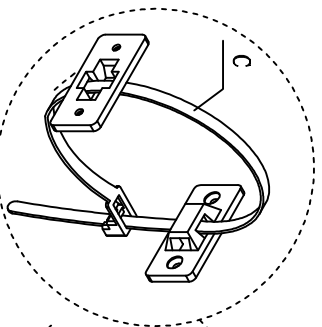


2



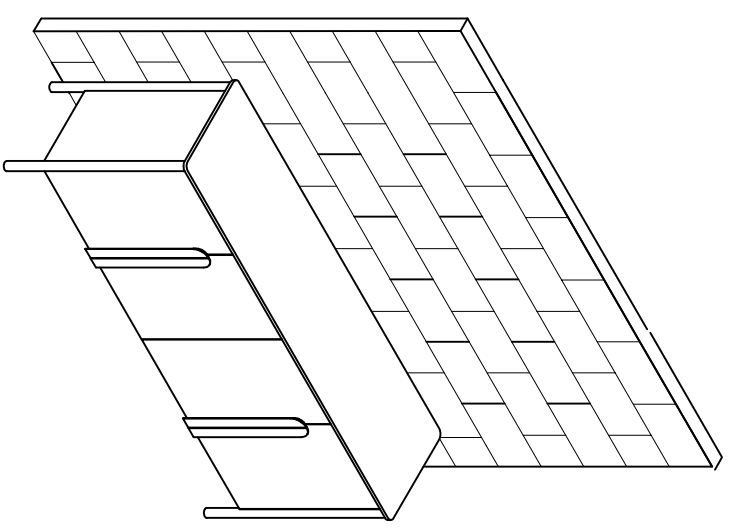
3

4



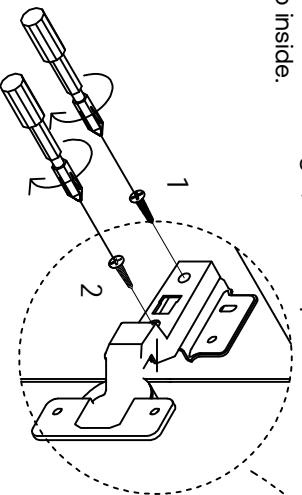
6

HORGANS

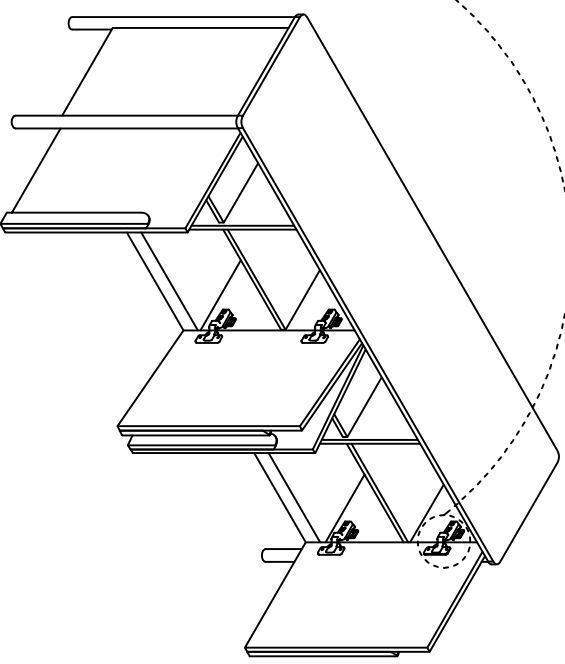


5 If doors are misaligned / uneven, please follow these steps:

Screw 1: by twisting screw 1 to the left, the door panel will move to outside; by twisting screw 1 to the right, the door panel will move to inside.



Screw 2: twisting screw 2 to the left, the door panel will move to right. Twisting screw 2 to the right, the door panel will move to the left.



Anti-Tip Kit
 It is recommended that the Anti-Tip Kit included with this product be installed for added safety and stability. It is essential to use wall anchors appropriate for your wall type (i.e: plaster, drywall, concrete etc), along with appropriate screws, for proper mounting. The screws included in this Anti-Tip Kit may not be suited for all wall types. Mounting to wood studs is recommended. Consult a qualified professional or your local hardware store for appropriate mounting hardware suited for your specific wall medium

HORGANS.COM.AU