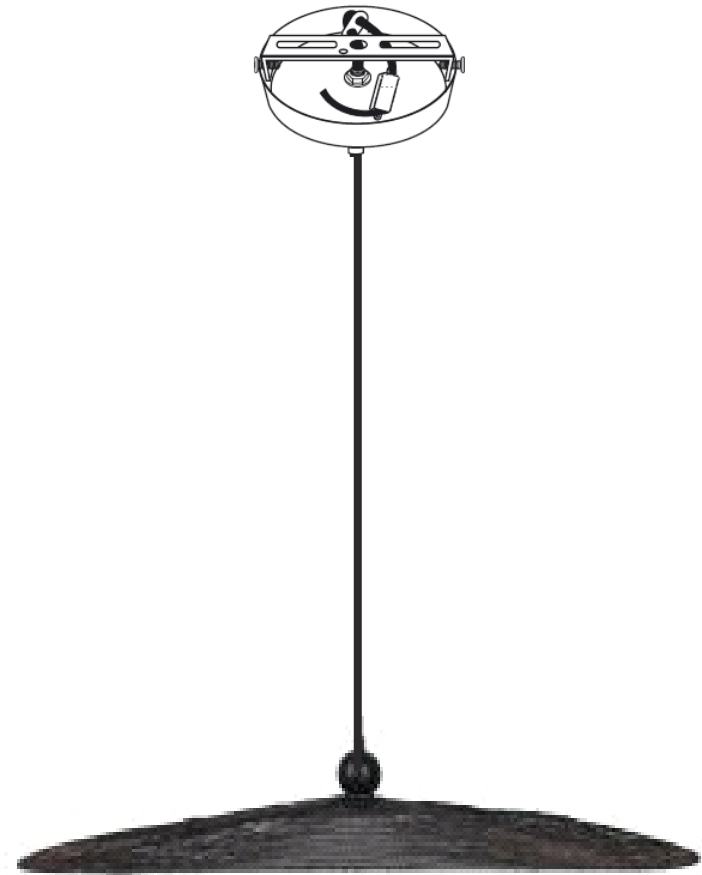
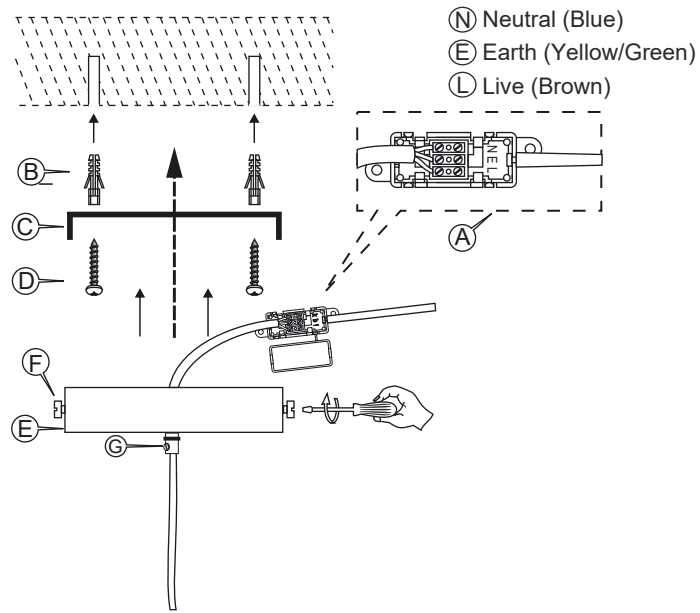


**ENZO PENDANT
ASSEMBLY INSTRUCTIONS**



STEP 1



Please note: this pendant should be assembled & mounted by a qualified electrician only

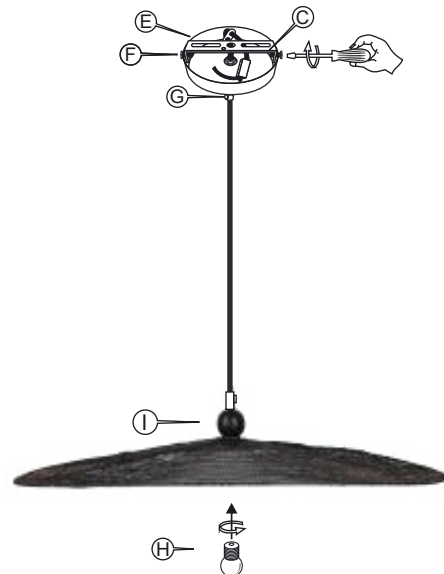
STEP 1

1. Secure the mounting plate (C) with screw (D) in the plastic ceiling mounts (B)
2. After securing the mounting plate, connect the three power wires coming out from the ceiling to the white plastic connector (A)

STEP 2

1. Tighten the canopy (E) with side screw (F) to the mounting plate (C) & tighten the screw on plastic cord grip (G)
2. Secure the light bulb (H) / E27 into the plastic lamp holder (I)

STEP 2



Please note: Bulb is not included
Uses E27 **MAXIMUM 40W**

SAFETY WARNING

- This pendant should be assembled & mounted by a qualified electrician only
- To prevent risk of fire, do not use light bulbs greater than 40 Watt.
- If the external flexible cable or cord of this pendant needs to be replaced, it should only be replaced by a qualified electrician.