


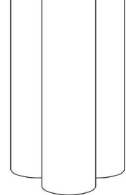



Taj Hall Table

 TIGHTEN BY
HAND ONLY
DO NOT USE
POWER TOOLS

HORGANS

| | |
|---|--|
| <p>(1) x1</p>  | <p>(4) x1</p>  |
| <p>(2) x1</p>   | |
| <p>(3) x 4</p>  | |

