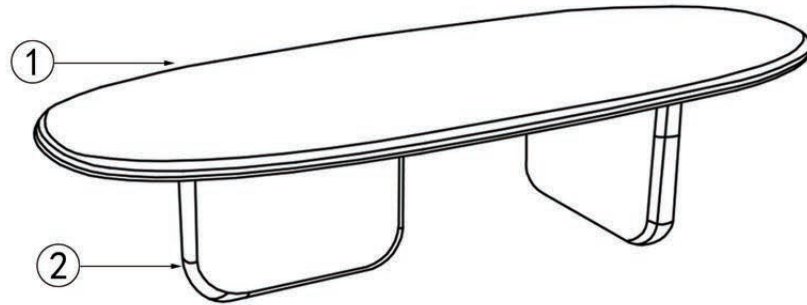


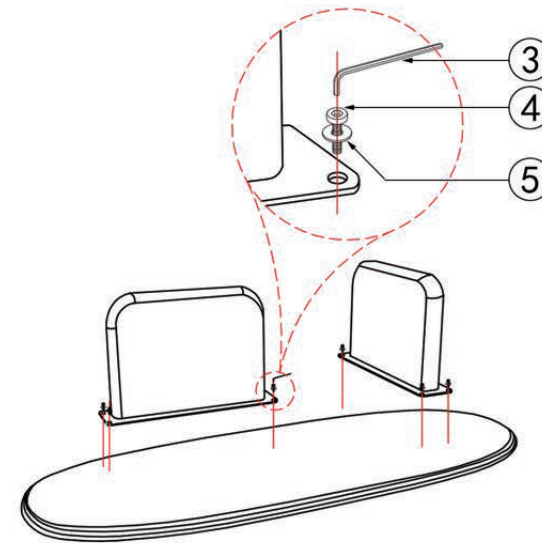
HORGANS

Assembly Instructions

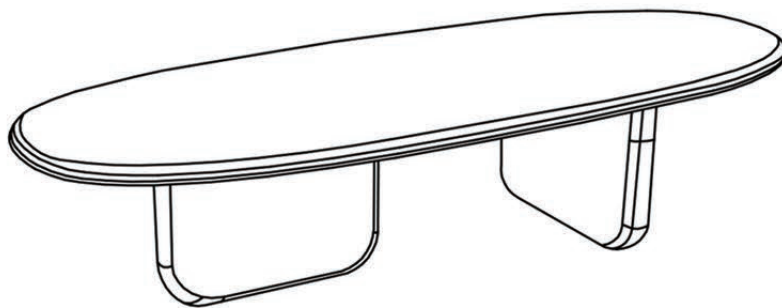
Step1








Step2



Finished



ALL PARTS LIST

NO.	Sketch	Description of parts	Qty/pcs
1		Wooden Top	1
2		Base	2
3		Wrench	1
4		Screw with M6*25	8
5		Washer (ϕ 20)	8