











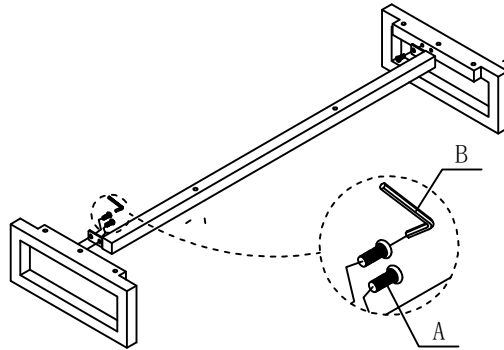
LUNA II CHEST OF DRAWERS

SETTING FITTINGS

ASSEMBLY INSTRUCTIONS

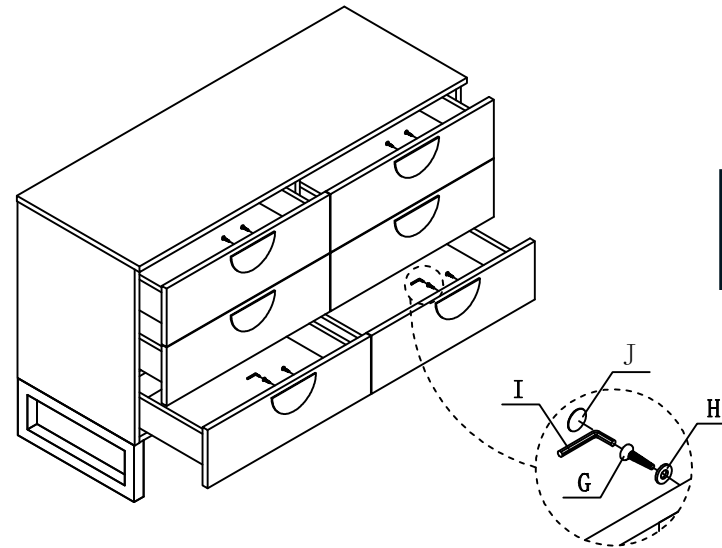
FITTINGS	SPEC	QTY	FITTINGS	SPEC	QTY
A	 M8x20	4pcs	B	 5mm	1pcs
C	 M8x40	6pcs	D	 $\phi 17x \phi 8x2$	6pcs
E	 6mm	1pcs	F	 M8x50	2pcs
G	 M6x25	12pcs	H	 $\phi 13x \phi 6x1$	12pcs
I	 4mm	1pcs	J	 $\phi 21$	12pcs

1

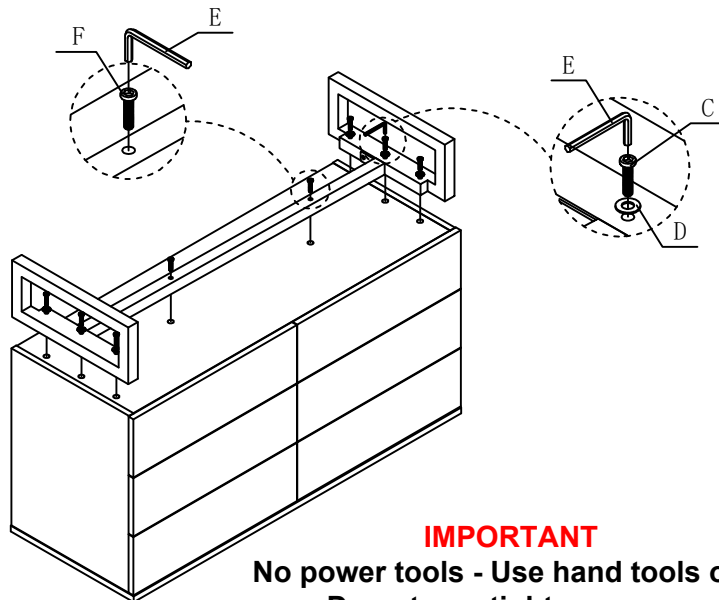


3

HORGANS
creative living / with style

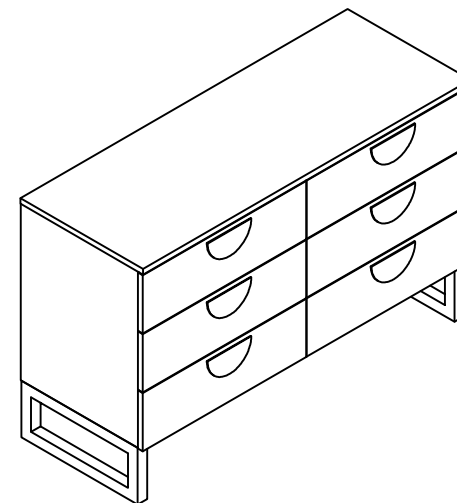


2



IMPORTANT
No power tools - Use hand tools only
Do not overtighten screws

4



horgans.com.au