












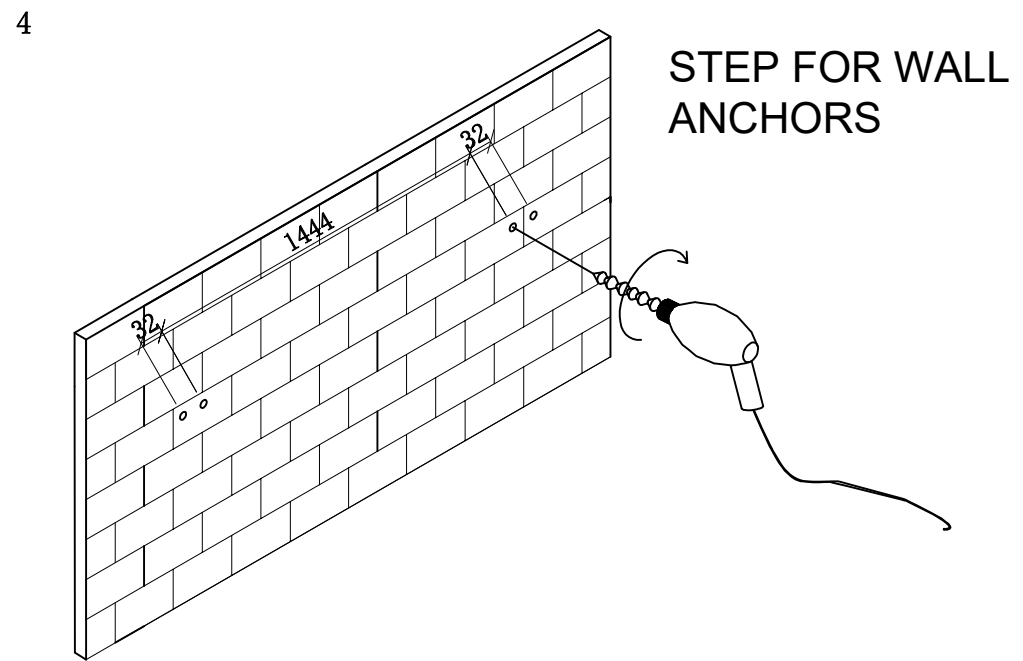
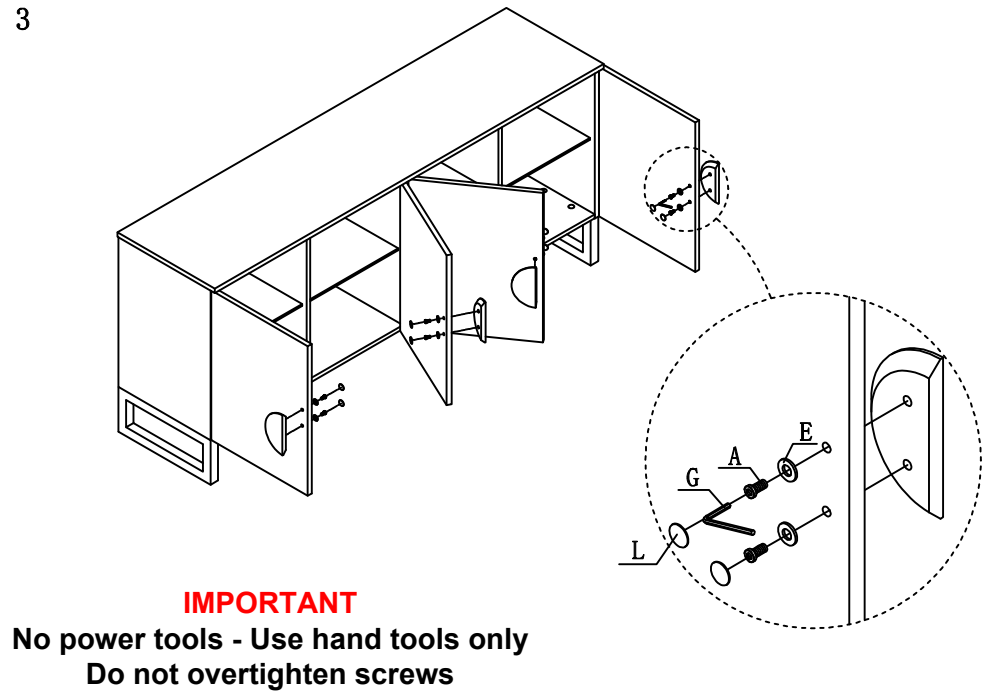
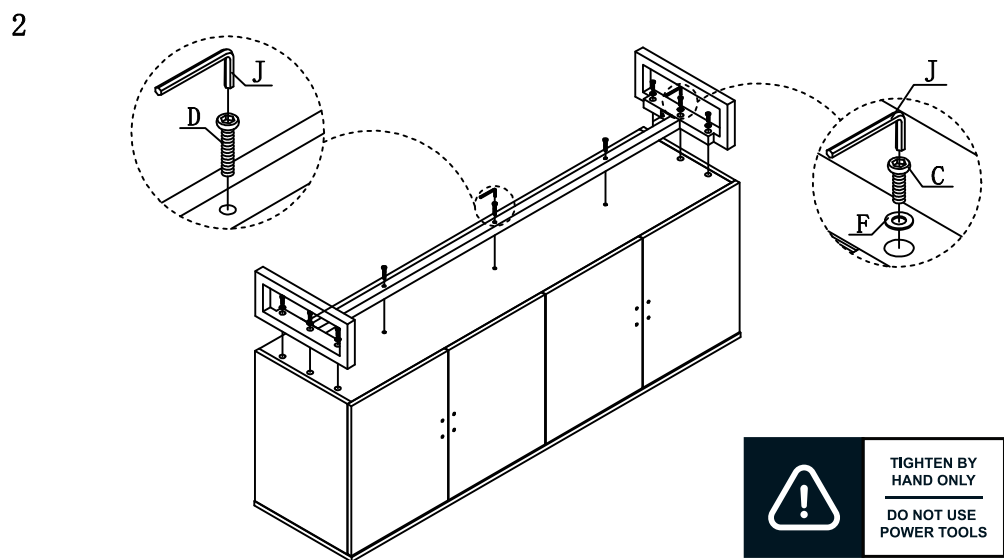
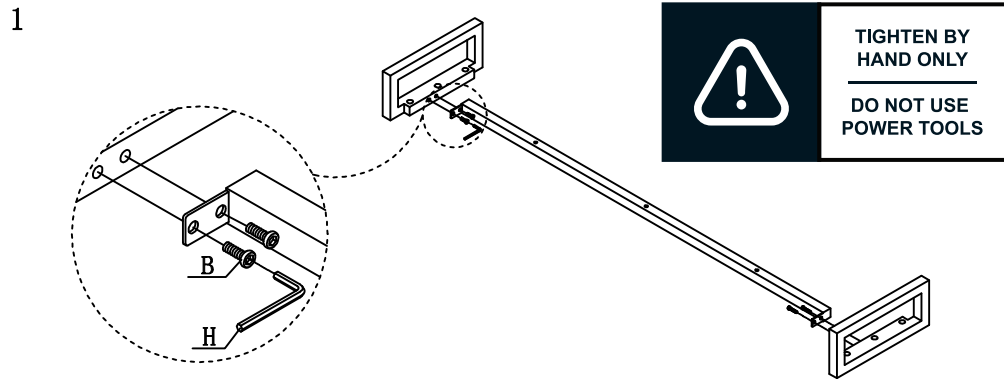


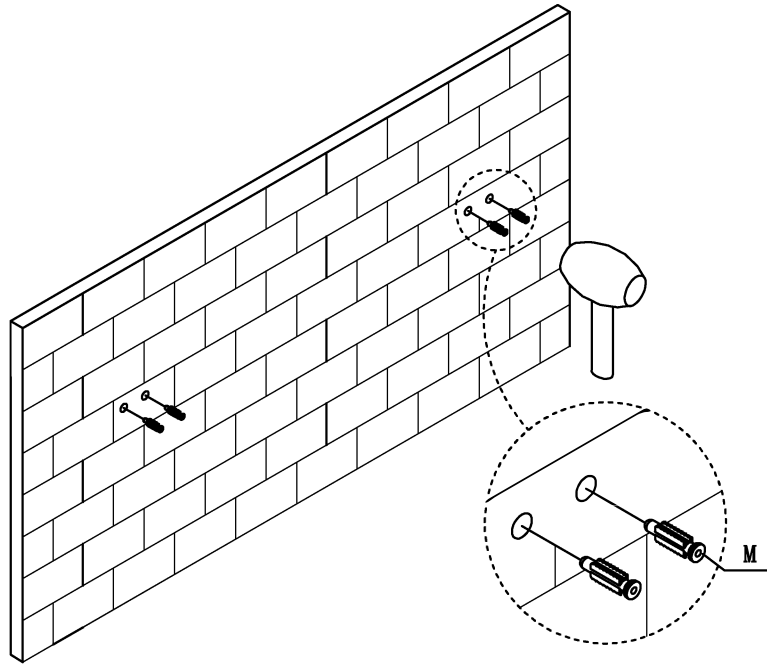
LUNA II SIDEBOARD A236 NATURAL

SETTING FITTINGS

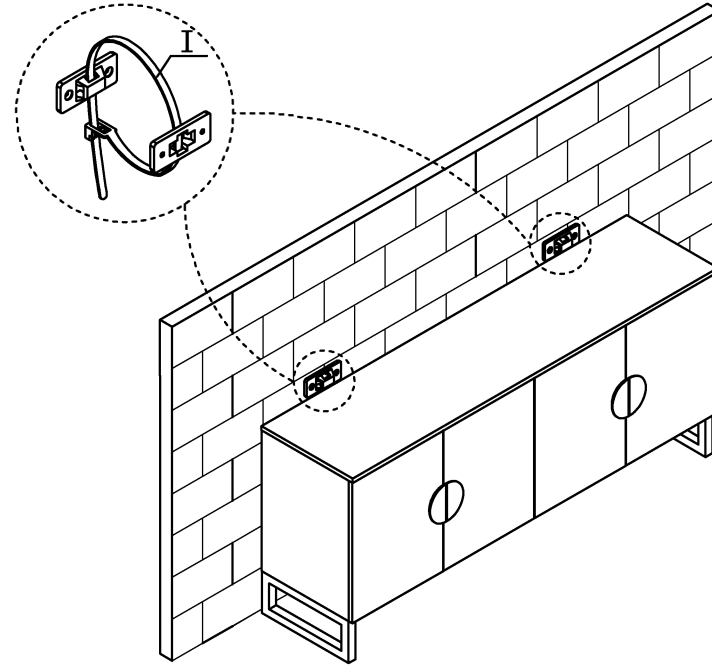
SETTING FITTINGS			ASSEMBLY INSTRUCTIONS		
FITTINGS	SPEC	QTY	FITTINGS	SPEC	QTY
A	 M6 x 25	8pcs	B	 M8 x 20	4pcs
C	 M8 x 35	6pcs	D	 M8 x 45	3pcs
E	 $\Phi 13 \times \Phi 6 \times 1$	8pcs	F	 $\Phi 17 \times \Phi 8 \times 2$	6pcs
G	 4mm	1pcs	H	 5mm	1pcs
I	 2pcs	2pcs	J	 6mm	1pcs
K	 3.5 x 30	4pcs	L	 $\Phi 21$	8pcs
M		4pcs			



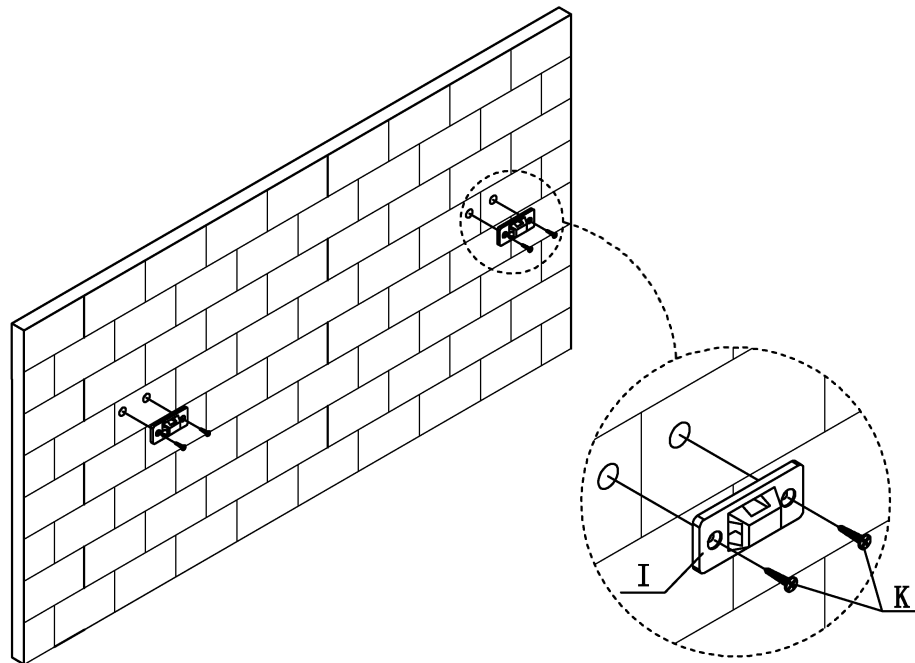
5



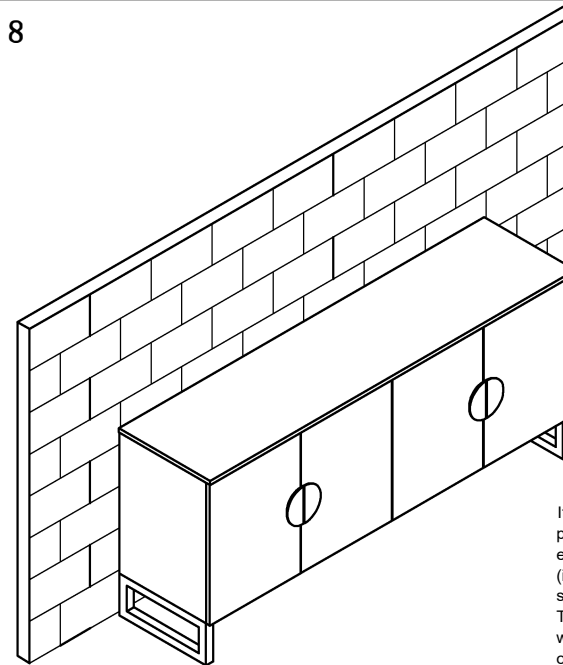
7



6



8



Anti-TIP Kit

It is recommended that the Anti-Tip Kit included with this product be installed for added safety and stability. It is essential to use wall anchors appropriate for your wall type (i. e. plaster, drywall, concrete, etc.), along with appropriate screws, for proper mounting. The screws included in this Anti-Tip Kit may not be suited for all wall types. Mounting to wood studs is recommended. Consult a qualified professional or your local hardware store for appropriate mounting hardware suited for your specific wall medium.