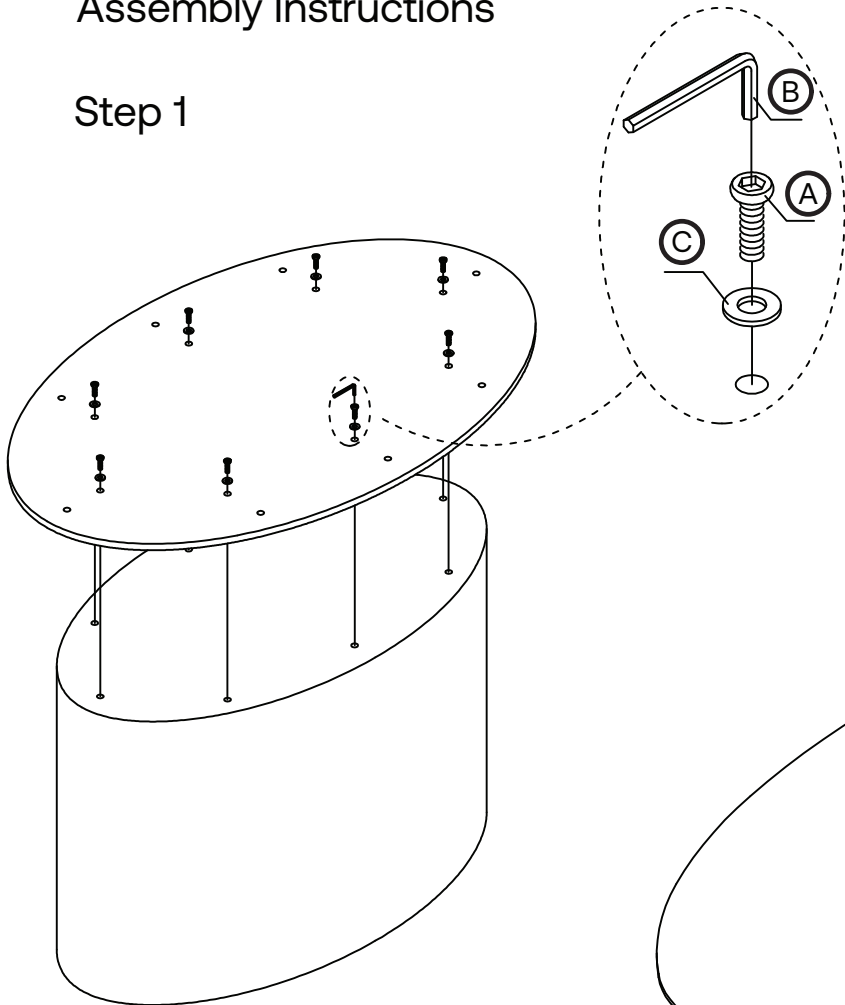


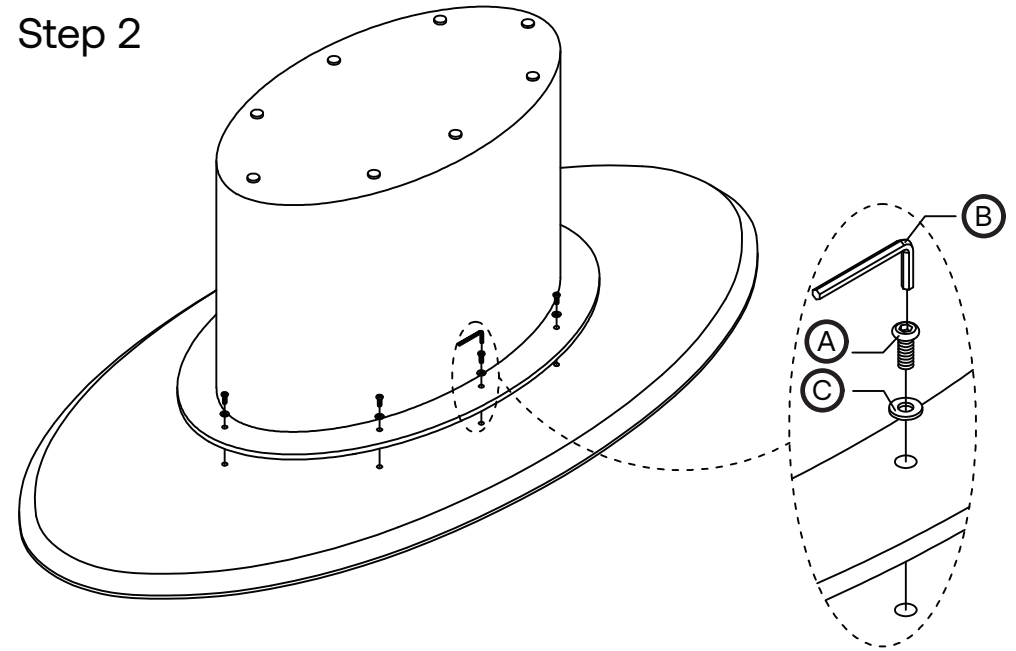
HORGANS

Assembly Instructions

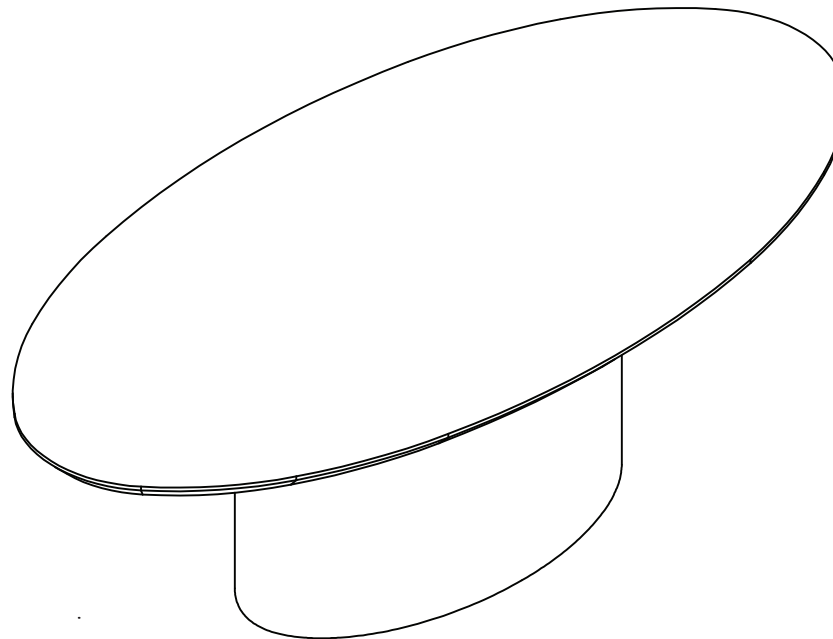
Step 1






Step 2



Step 3



ID	Description	QTY
A	 M8x35	16
B	 6mm	2
C	 Ø 17x Ø 8x2	16