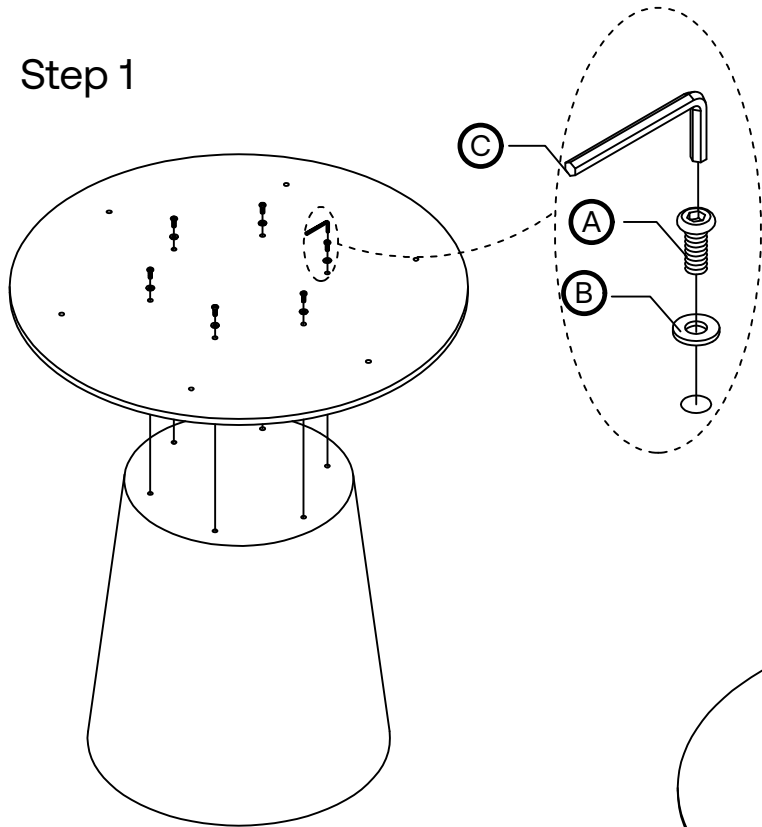


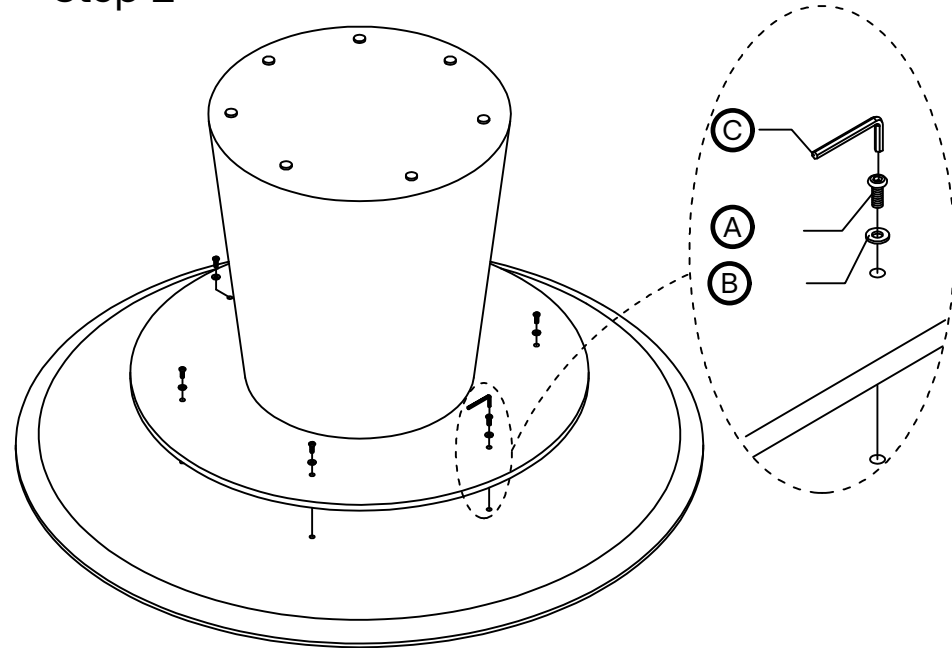
HORGANS

Assembly Instructions

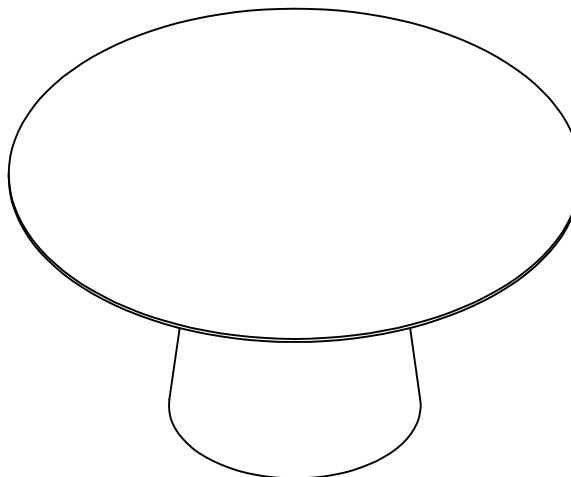
Step 1






Step 2



Step 3



ID	Description	QTY
A	 M8x30	12
B	 $\varnothing 17 \times \varnothing 8 \times 2$	12
C	 5mm	2