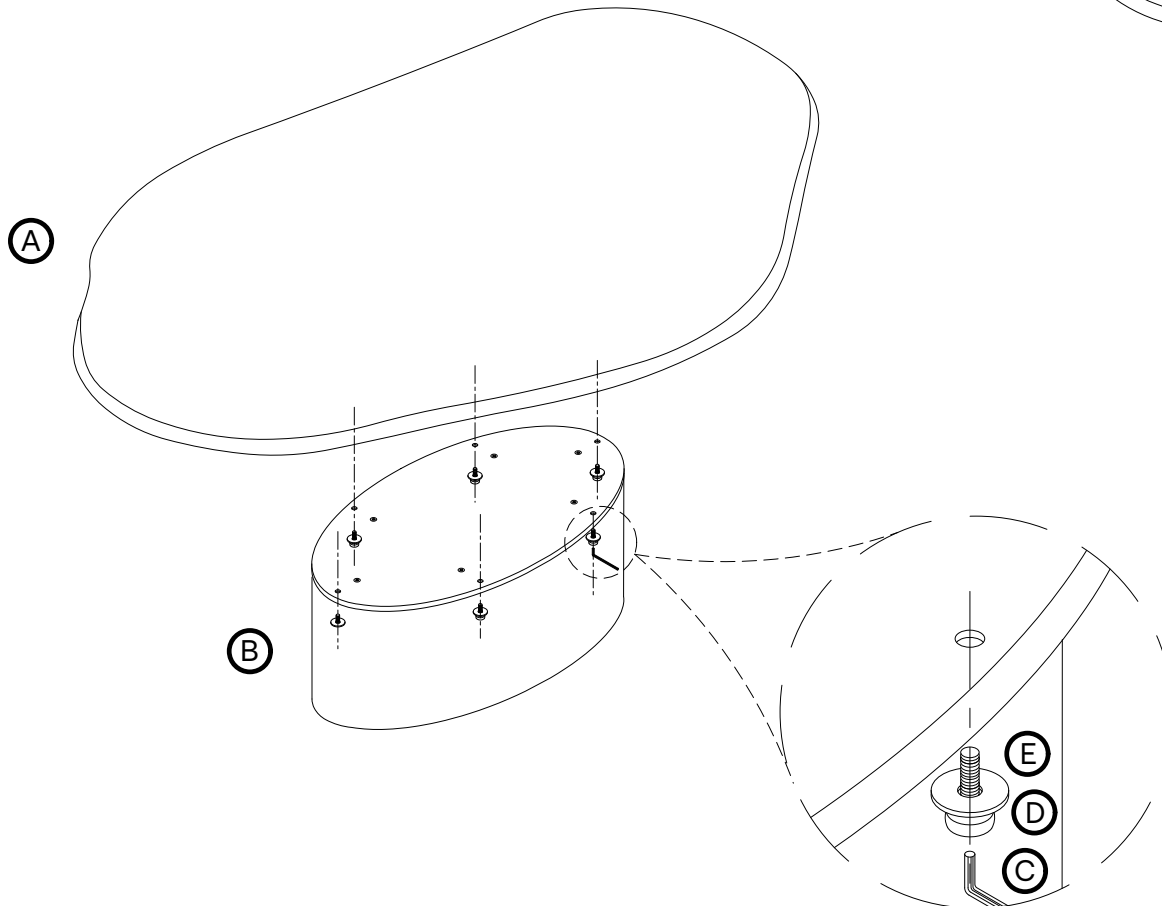


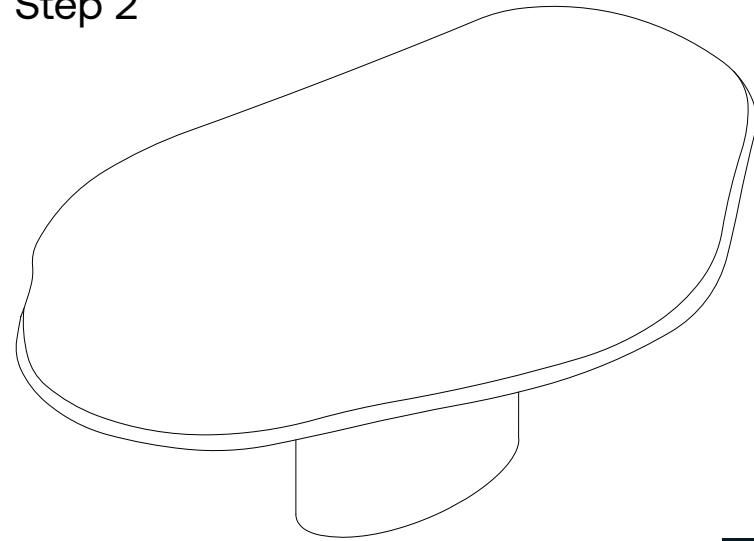
HORGANS



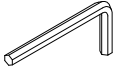


Assembly Instructions

Step 1



Step 2



ID	Description	QTY
A	 Top	1
B	 Base	1
C	 L-Key	1
D	 M8x30	6
E	 Washer Ø 20	6